

Power LED

type PL1

- high luminosity
- high quality or professional application
- reflow soldering
- RoHS compliant



Part Number	Old Part Number	Colour Temp. (°K)	Intensity (mcd)			Angle (deg)	Voltage (V)		Lens Colour
			min	typ	max		typ	max	
SLO-231N-00002	PL1-NL11-01	☉ 2700	70	95	100	120°	3.5	4.0	diffused
SLO-231W-00004	PL1-WL11-00	☁ 4500-5500	100	110	120	120°	3.5	4.0	diffused
SLO-231N-00005	PL1-NL11-00	☉ 3000	70	95	100	120°	3.5	4.0	diffused

Electro-Optical-Characteristics Ta=25°C, Forward Current: IF Typical = 350mA,

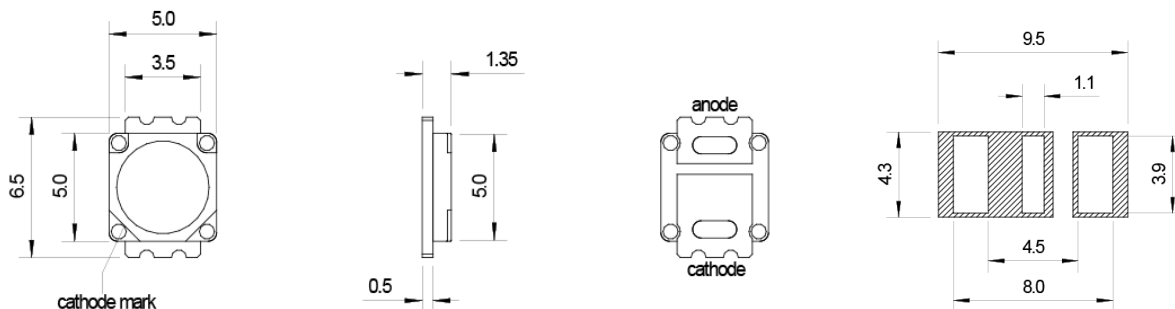
1/10 Duty Cycle, 10ms Pulse Width: up to 600mA, depending on colour.

Storage Temp. -40 ~+100 (°C) Operating Temp. -40 ~+85 (°C)

Detailed data sheets are available on request

Packaging: 1400pcs/reel

Dimensions (mm)



1. All dimensions are in millimetres
2. Tolerance is ± 0.25 mm unless otherwise specified
3. Specifications are subject to change without notice